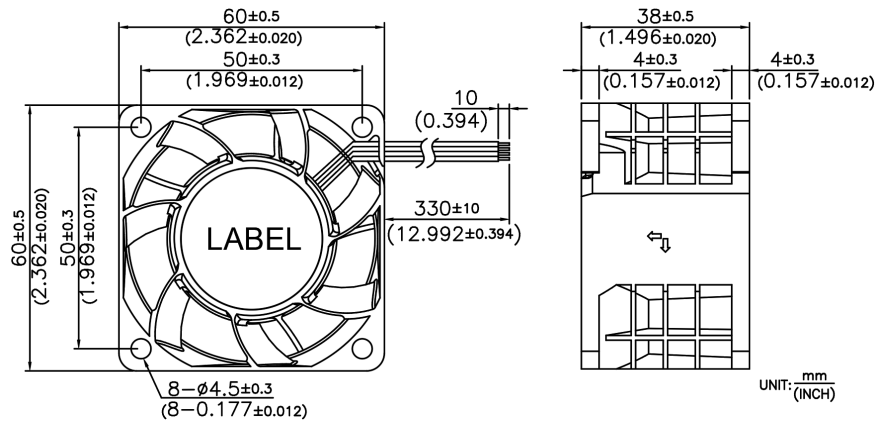
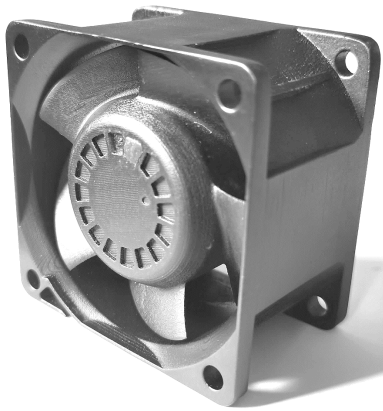
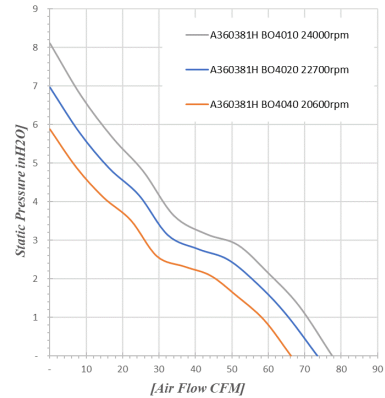


## iCloud Fan 60\*60\*38 MM

### DIMENSION DRAWING



- Housing : Plastic (UL 94V-0)
- Impeller : Plastic (UL 94V-0)
- Bearing : Ball bearing
- Lead Wires : UL10368 AWG22 OR Equivalent
- Mass : 130g



Model No.	Bearing Type	Rated Voltage	Operating Voltage Range	Speed	Input Current	Input Power	Maximum Air Flow		Maximum Air Pressure		Noise	
		VDC	VDC	R.P.M	Amp	Watt	CFM	m <sup>3</sup> /min	inH2O	mmH2O	dB(A)	
A360381H	BO4010	Ball	12	10.2~13.2	24000	3.0	35.7	77.5	2.2	9.0	229.0	72.1
A360381H	BO4020	Ball	12	10.2~13.2	22700	2.6	31.2	73.5	2.08	7.0	177.2	70.6
A360381H	BO4040	Ball	12	10.2~13.2	20600	2.2	26.4	66.2	1.87	5.9	149.4	67.7
A360382H	BO4010	Ball	24	21.6~26.4	24000	1.5	35.7	77.5	2.19	9.0	229.0	72.1
A360382H	BO4020	Ball	24	21.6~26.4	22700	1.3	31.2	73.5	2.08	7.0	177.2	70.6
A360382H	BO4040	Ball	24	21.6~26.4	20600	1.1	26.4	66.2	1.87	5.9	149.4	67.7